



An exclusive range
of inflatable and premium *spas*

CATALOGUE 2018



Poolstar
Your Swimming Pool & Wellness Partner



SUMMARY

THE NET RESULT: SIMPLY BETTER!

NetSpa offers an exclusive range of inflatable, with the perfect blend of technology, design, quality, and service.

NetSpa's aim is to enable everyone to enjoy a haven of tranquility at home.

Backed by a decade's valuable experience in the inflatable Spa business, our engineers, technicians, marketing team and graphical designers have gathered their best efforts and created the NetSpa.

Our team has completely reinvented the concept of inflatable hot tubs to offer a complete range of products that is as innovative as it is attractive.

Elegant design, smart and efficient pumps, unique solution for After Sales Services and meticulous choice of material are strongly part of NetSpa's DNA.

NETSPA ADVANTAGES

- Larger dimensions for greater comfort.
- Smart, money-saving technology to reduce your running costs
- Value-added spa packages with a protective case, an insulating cover and two filter cartridges included.
- Personal service with tailored instruction videos, customer support, and one of the most innovative maintenance packages on the market.



ASPEN

INFLATABLE SQUARE SPA

Compact square design
Automatic control function of temperature



MALIBU

INFLATABLE ROUND SPA

Classic Round design
2 sizes available
Automatic control function of temperature



MONTANA

INFLATABLE ROUND SPA

Classic Round design
2 sizes available
Automatic control function of temperature



SILVER

INFLATABLE OCTAGONAL SPA

Innovative octagonal design
Small and stylish
Automatic control function of temperature



PYTHON

INFLATABLE OCTAGONAL SPA

Premium octagonal design
with modern crocodile pattern
Small and stylish
Automatic control function of temperature



CAÏMAN

INFLATABLE SQUARE SPA

Compact square design
with premium modern crocodile pattern
Automatic control function of temperature



VITA PREMIUM

PORTABLE ROUND SPA

Rigid spa with insulating foam walls
Extra deep water
Quick and easy installation
Automatic control function of temperature



ACCESSORIES

INFLATABLE SQUARE SPA

ASPEN

THE PERFECT SPA FOR SMALL SPACES

The Aspen square-shaped inflatable spa is compact and elegant, and ideal for 4 people.

Refined and robust, the Aspen has an ultra-resistant laminated, imitation leather PVC outer and pearl interior liner.

The Aspen is supplied with a 'smart', economical motor unit providing three functions: Heating, Massage and Filtration.

You'll love the design, adore the bubbles and appreciate the small price tag!



Massage air nozzles



Easy assembly



100% security

EQUIPMENT INCLUDED

- 1 FILTER CARTRIDGE
- FILTRATION SUPPORT
- INFLATING HOSE
- PUMP UNIT CONNECTORS
- 3 CAPS
- REPAIR KIT
- DRAIN PLUG
- AIRFLOW VALVE
- RCD PLUG
- BASE PROTECTOR
- INSULATED COVER



Insulated cover & base protector included



Ready to use with filter cartridge

All connectors included



Power unit



SPECIFICATIONS

SPA	4 PERSONS
Interior/exterior dimensions	128 x 128cm /168 x 168 cm
Height	70 cm
Water level	44 - 47 cm
Water capacity	700 L
Air nozzles	110
Outer liner	PVC laminated with imitation leather finish
Inner liner	PVC Pearl
Ground protection	Synthetic fabric mat
Cover	PVC laminated 0,6mm with aluminium sheet
Straps	Secure locking with custom buckles
Ref	SP-ASP130C

INTELLIGENT AND ECONOMIC ENGINE BLOCK	
Certification	Tested and certified by TUV
Control panel	Integrated digital panel
Power supply	240V~ / 50Hz
Air and bubble pump (massage)	650 W
Air pump noise	68 dB at 1 m

HEATER	
Power	1500 W
Speed	1.5°C - 2.5°C/hour
Maximum temperature	42°C
Operating environment	5°C or above

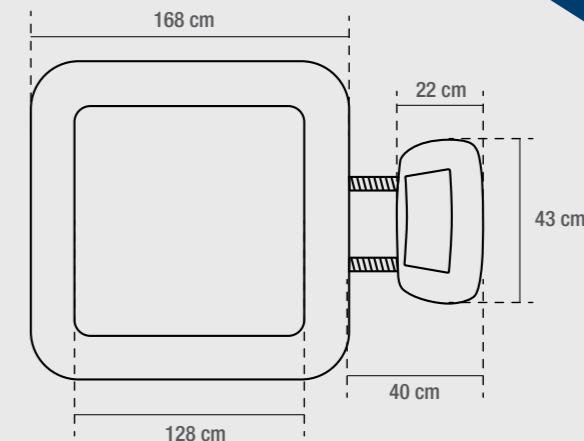
FILTRATION PUMP	
Filtration Pump	40 W
Noise filtering	55 dB à 1 m
Filtering capacity	1200L/h (264gal/h)



TRANSPORT INFORMATIONS



Gross weight	25.76 kg
40'HQ	451 pcs
CBM	0.1603m³



INFLATABLE ROUND SPA

MALIBU

DESIGN & PERFORMANCE

With its clean, modern design, this 4 or 6-person inflatable spa will fit perfectly into a contemporary or traditional space. With its ultra-resistant laminated, imitation leather PVC outer and pearl interior liner, the Malibu spa is the perfect place for the family to enjoy some unforgettable moments of relaxation. Like the other models in the NetSpa range, the Malibu has a smart, economical external motor unit, with three functionalities: Heating, Massage and Filtration.



SPECIFICATIONS

SPA	4 PERSONS	6 PERSONS
Interior/exterior dimensions	130 / 175 cm	160 / 204 cm
Height	70 cm	
Water level	44 - 47 cm	
Water capacity	700 L	930 L
Air nozzles	110	140
Outer liner	PVC laminated with imitation leather finish	
Inner liner	PVC Pearl	
Ground protection	Synthetic fabric mat	
Cover	PVC laminated 0,6mm with aluminium sheet	
Straps	Secure locking with custom buckles	
Ref	SP-MBU135C	SP-MBU165C

INTELLIGENT AND ECONOMIC ENGINE BLOCK

Certification	Tested and certified by TUV
Control panel	Integrated digital panel
Power supply	240V~ / 50Hz
Air and bubble pump (massage)	650 W
Air pump noise	68 dB at 1 m

HEATER

Power	1500 W
Speed	1.5°C - 2.5°C/hour
Maximum temperature	42°C
Operating environment	5°C or above

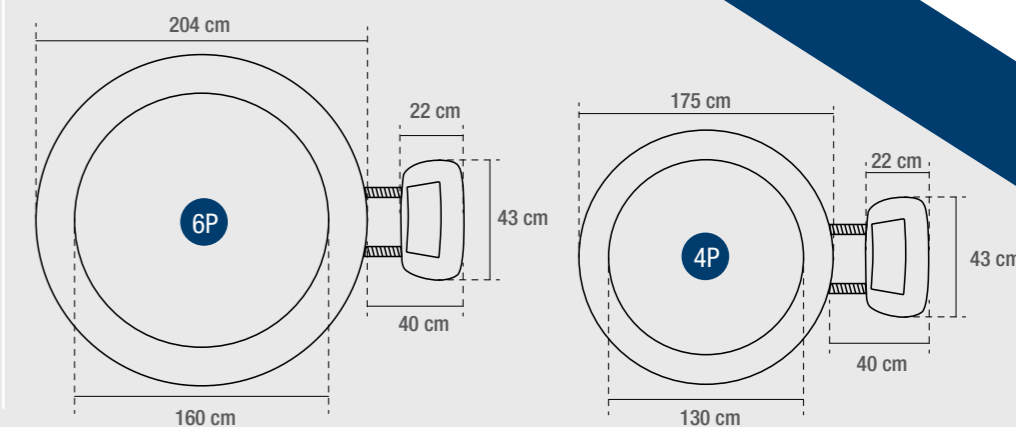
FILTRATION PUMP

Filtration Pump	40 W
Noise filtering	55 dB à 1 m
Filtering capacity	1200L/h (264gal/h)

TRANSPORT INFORMATIONS



	4P	6P
Gross weight	25.58 kg	27.98 kg
40'HQ	451 pcs	332 pcs
CBM	0.1603m ³	0.2012m ³



Massage Air nozzles



Easy assembly



100% security



Insulated cover & base protector included



Ready to use with filter cartridge

All connectors included



Power unit

EQUIPMENT INCLUDED

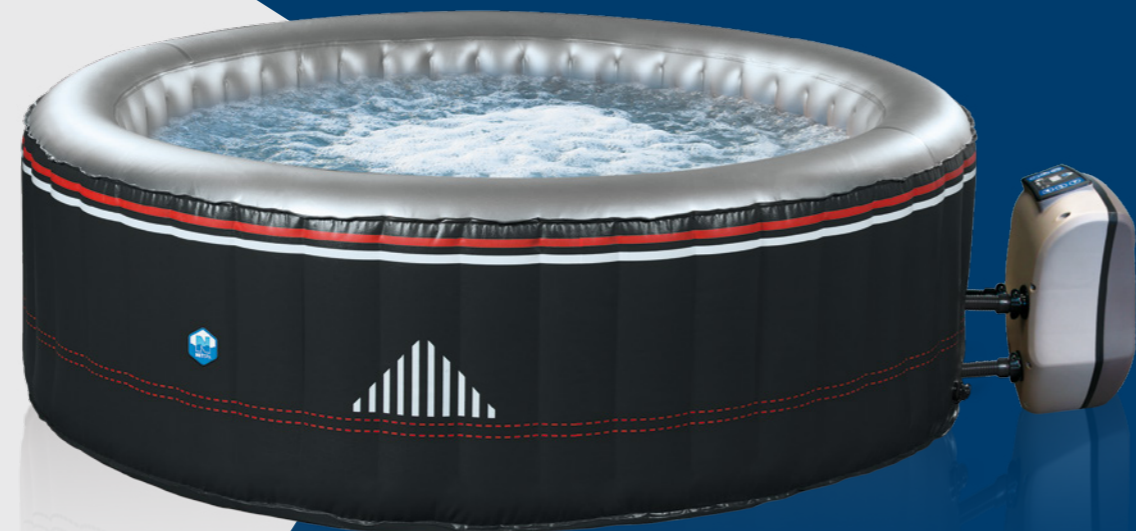
- 1 FILTER CARTRIDGE
- FILTRATION SUPPORT
- INFLATING HOSE
- PUMP UNIT CONNECTORS
- 3 CAPS
- REPAIR KIT
- DRAIN PLUG
- AIRFLOW VALVE
- RCD PLUG
- BASE PROTECTOR
- INSULATED COVER

INFLATABLE ROUND SPA

MONTANA

DESIGN & PERFORMANCE

With its clean, modern design, this 4 or 6-person inflatable spa will fit perfectly into a contemporary or traditional space. With its ultra-resistant laminated, imitation leather PVC outer and pearl interior liner, the Montana spa is the perfect place for the family to enjoy some unforgettable moments of relaxation. Like the other models in the NetSpa range, the Montana has a smart, economical external motor unit, with three functionalities: Heating, Massage and Filtration.



SPECIFICATIONS

SPA	4 PERSONS	6 PERSONS
Interior/exterior dimensions	130 / 175 cm	160 / 204 cm
Height	70 cm	
Water level	44 - 47 cm	
Water capacity	700 L	930 L
Air nozzles	110	140
Outer liner	PVC laminated with imitation leather finish	
Inner liner	PVC Pearl	
Ground protection	Synthetic fabric mat	
Cover	PVC laminated 0,6mm with aluminium sheet	
Straps	Secure locking with custom buckles	
Ref	SP-MBU135C	SP-MBU165C

INTELLIGENT AND ECONOMIC ENGINE BLOCK

Certification	Tested and certified by TUV
Control panel	Integrated digital panel
Power supply	240V~ / 50Hz
Air and bubble pump (massage)	650 W
Air pump noise	68 dB at 1 m

HEATER

Power	1500 W
Speed	1.5°C - 2.5°C/hour
Maximum temperature	42°C
Operating environment	5°C or above

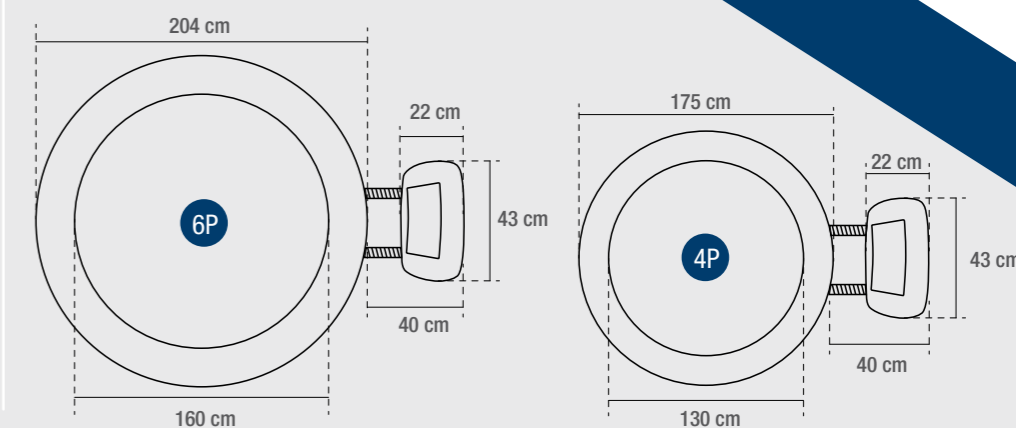
FILTRATION PUMP

Filtration Pump	40 W
Noise filtering	55 dB à 1 m
Filtering capacity	1200L/h (264gal/h)

TRANSPORT INFORMATIONS



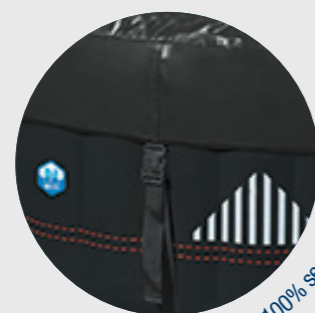
	4P	6P
Gross weight	25.58 kg	27.98 kg
40'HQ	451 pcs	332 pcs
CBM	0.1603m ³	0.2012m ³



Massage Air nozzles



Easy assembly



100% security

EQUIPMENT INCLUDED

- 1 FILTER CARTRIDGE
- FILTRATION SUPPORT
- INFLATING HOSE
- PUMP UNIT CONNECTORS
- 3 CAPS
- REPAIR KIT
- DRAIN PLUG
- AIRFLOW VALVE
- RCD PLUG
- BASE PROTECTOR
- INSULATED COVER



Insulated cover & base protector included



Ready to use with filter cartridge

All connectors included



Power unit

INFLATABLE OCTOGONAL SPA

SILVER

INNOVATIVE, TRENDY AND COMFORTABLE

NetSpa manufactures the SILVER spa with an innovative and trendy octagonal design, while paying particular attention to users' comfort. The dimensions of this spas have also been increased (145 cm outside / 188 cm inside) to provide maximum space for 5 persons.



SPECIFICATIONS

SPA	5 PERSONS
Interior/exterior dimensions	145 /188 cm
Height	70 cm
Water level	44-47 cm
Water capacity	710 L
Air nozzles	130
Outer liner	PVC laminated with imitation leather finish
Inner liner	PVC Pearl
Ground protection	Synthetic fabric mat
Cover	PVC laminated 0,6mm with aluminium sheet
Straps	Secure locking with custom buckles
Ref	SP-SLV155C

INTELLIGENT AND ECONOMIC ENGINE BLOCK	
Certification	Tested and certified by TUV
Control panel	Integrated digital panel
Power supply	240V~ / 50Hz
Air and bubble pump (massage)	650 W
Air pump noise	68 dB at 1 m

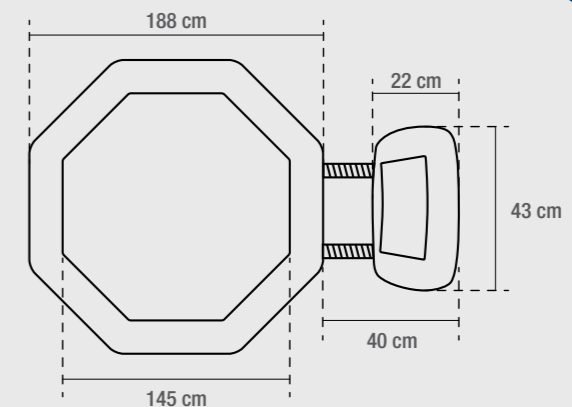
HEATER	
Power	1500 W
Speed	1.5°C – 2.5°C/hour
Maximum temperature	42°C
Operating environment	5°C or above

FILTRATION PUMP	
Filtration Pump	40 W
Noise filtering	55 dB à 1 m
Filtering capacity	1200L/h (264gal/h)

TRANSPORT INFORMATIONS



Gross weight	31.4 kg
40'HQ	332 pcs
CBM	0.2012m³



Massage air nozzles



Easy assembly



100% security



Insulated cover & base protector included



Ready to use with filter cartridge

All connectors included



EQUIPMENT INCLUDED

- 1 FILTER CARTRIDGE
- FILTRATION SUPPORT
- INFLATING HOSE
- PUMP UNIT CONNECTORS
- 3 CAPS
- REPAIR KIT
- DRAIN PLUG
- AIRFLOW VALVE
- RCD PLUG
- BASE PROTECTOR
- INSULATED COVER



Power unit

STAR LINE

Star Line is the premium range of NetSpa that takes the inflatable Spa experience to the next level. Designed with a special attention to the choice of material, premium aspect and accessories, Star Line's is meant to enhance your relaxation time. Imagine yourself relaxing in the hot tub, surrounded by noble material with high end finishes, while benefiting from the most advanced component in the inflatable Spa industry.



ANTI-BACTERIAL TREATMENT

ALL STAR LINE'S HOT TUBS ARE DELIVERED WITH THE NEW BACTI-STOP® FILTER CARTRIDGES

- Extends the lifetime of your pump's filtration system
- Improves the quality and cleanness of your pool's water
- Neutralizes bacteria, fungi and algae and prevents their proliferation

ELEGANT & CHIC SIMILI-LEATHER COVER.

Patterned with crocodile-skin finishes, NetSpa Star line's cover enhanced the look of your spa to offer a unique and premium decoration to your spaces.



INFLATABLE SQUARE SPA

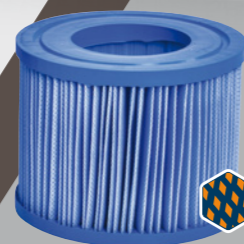
CAÏMAN

THE MOST POPULAR TYPE WITH NOBLE MATERIALS

The additional premium cover propels Aspen 5 Star one step further. While keeping all the advantages of its square shape – more compact, comfort and space – this new model outstands with its luxury design. Noble materials patterned with crocodile-skin finishes suit this product perfectly. On top of an amazing relaxation experience, this product will also enhance your indoor/outdoor spaces with its charming and elegant design.



Elegant & chic
simili-leather
cover



High performance
and efficiency
New Bacti-stop ® filter cartridge



Insulated cover
& base protector
included



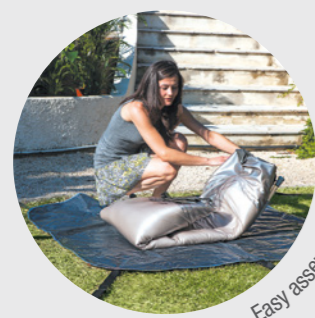
All connectors
included



Power unit



Massage air nozzles



Easy assembly



100% security

EQUIPMENT INCLUDED

- 1 ANTIBACTERIAL FILTER CARTRIDGE
- FILTRATION SUPPORT
- INFLATING HOSE
- PUMP UNIT CONNECTORS
- 3 CAPS
- REPAIR KIT
- DRAIN PLUG
- AIRFLOW VALVE
- RCD PLUG
- BASE PROTECTOR
- INSULATED COVER



SPECIFICATIONS

SPA	4 PERSONS
Interior/exterior dimensions	128 x 128cm /168 x 168 cm
Height	70 cm
Water level	40-43 cm
Water capacity	710 L
Air nozzles	130
Outer liner	PVC laminated 0,6mm with aluminium sheet Simili-leather cover patterned with crocodile-skin finishes
Inner liner	PVC Pearl
Ground protection	Synthetic fabric mat
Cover	Simili-leather cover patterned with crocodile-skin finishes
Straps	Secure locking with custom buckles
Ref	SP-ASP130CS

INTELLIGENT AND ECONOMIC ENGINE BLOCK	
Certification	Tested and certified by TUV
Control panel	Integrated digital panel
Power supply	240V~ / 50Hz
Air and bubble pump (massage)	650 W
Air pump noise	68 dB at 1 m

HEATER	
Power	1500 W
Speed	1.5°C – 2.5°C/hour
Maximum temperature	42°C
Operating environment	5°C or above

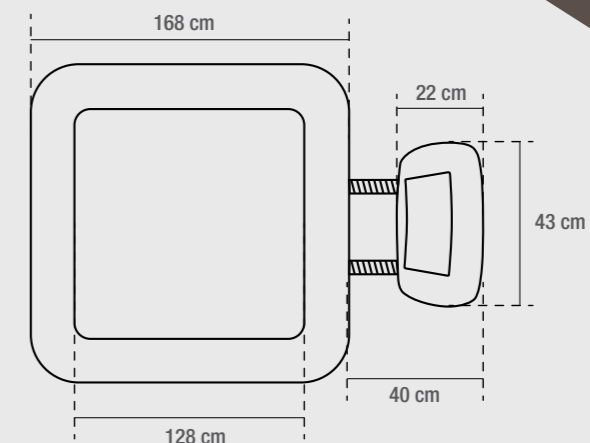
FILTRATION PUMP	
Filtration Pump	40 W
Noise filtering	55 dB à 1 m
Filtering capacity	1200L/h (264gal/h)



TRANSPORT INFORMATIONS



Gross weight	25.76 kg
40'HQ	451 pcs
CBM	0.1603m³



INFLATABLE OCTOGONAL SPA

PYTHON

BLEND OF LUXURY, DESIGN AND COMFORT

NetSpa manufactures the ROVER 5 STAR spa with an innovative and trendy octagonal design, while paying particular attention to users' comfort.

The dimensions of this spas have also been increased (188 cm outside / 145 cm inside) to provide maximum space for 4 persons.



MASSAGE AIR NOZZLES



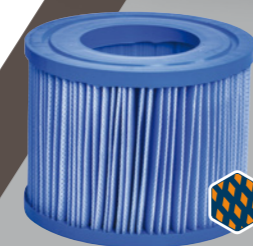
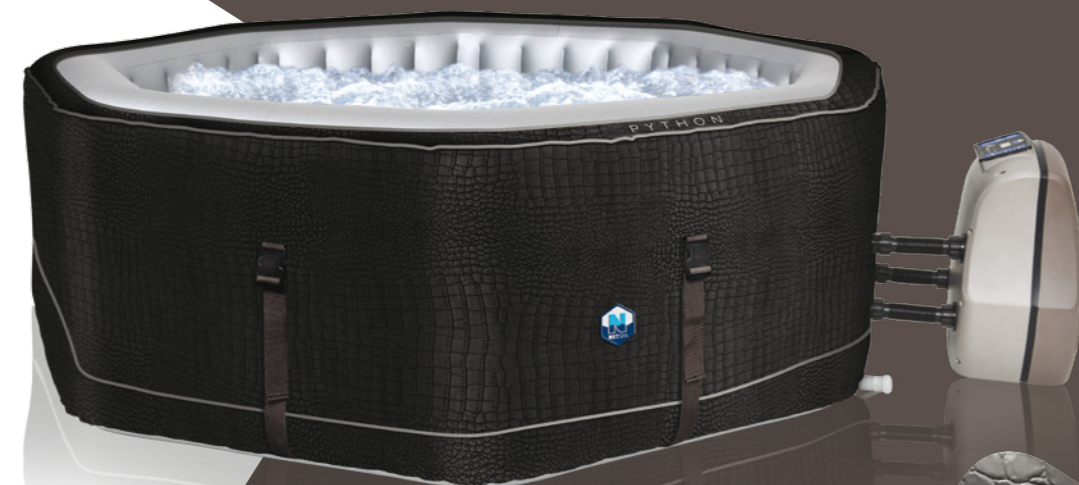
EASY ASSEMBLY



100% SECURITY

EQUIPMENT INCLUDED

- 1 ANTIBACTERIAL FILTER CARTRIDGE
- FILTRATION SUPPORT
- INFLATING HOSE
- PUMP UNIT CONNECTORS
- 3 CAPS
- REPAIR KIT
- DRAIN PLUG
- AIRFLOW VALVE
- RCD PLUG
- BASE PROTECTOR
- INSULATED COVER



High performance and efficiency
New Bacti-stop® filter cartridge



Insulated cover & base protector included



Elegant & chic
simili-leather
cover



All connectors included



Power unit



SPECIFICATIONS

SPA	5 PERSONS
Interior/exterior dimensions	145 /188 cm
Height	70 cm
Water level	40-43 cm
Water capacity	710 L
Air nozzles	130
Outer liner	PVC laminated 0,6mm with aluminium sheet Simili-leather cover patterned with crocodile-skin finishes
Inner liner	PVC Pearl
Ground protection	Synthetic fabric mat
Cover	PVC laminated 0,6mm with aluminium sheet
Straps	Secure locking with custom buckles
Ref	SP-ROV155CS

INTELLIGENT AND ECONOMIC ENGINE BLOCK

Certification	Tested and certified by TUV
Control panel	Integrated digital panel
Power supply	240V~ / 50Hz
Air and bubble pump (massage)	650 W
Air pump noise	68 dB at 1 m

HEATER

Power	1500 W
Speed	1.5°C – 2.5°C/hour
Maximum temperature	42°C
Operating environment	5°C or above

FILTRATION PUMP

Filtration Pump	40 W
Noise filtering	55 dB à 1 m
Filtering capacity	1200L/h (264gal/h)



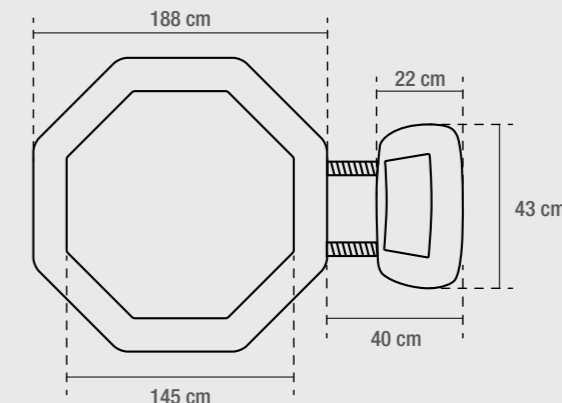
TRANSPORT INFORMATIONS



Gross weight **31.4 kg**

40'HQ **332 pcs**

CBM **0.2012m³**



PORTABLE ROUND SPA

VITA PREMIUM

THE TRUE ALTERNATIVE

The Vita Premium from NetSpa is an innovation in the world of spas. This new spa is rigid, making it the perfect solution for anyone looking for a portable spa at an ultra-competitive price!

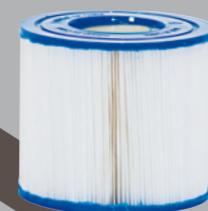
Built with eight walls made from 13 cm insulating foam, this spa is wrapped in an external liner made from 8 mm thick imitation leather.

This extra-deep (73cm) spa meets the highest standards so you can immerse your torso completely for a full massage.

With an integrated filter in the motor unit, the internal space has been optimised for 4 to 6 people.



Insulated cover & base protector included



Ready to use with filter cartridge

All connectors included



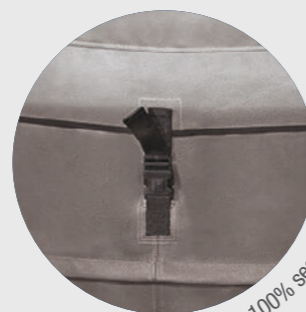
Intelligent Power unit with 3 speed for Airflow



Massage Air nozzles



Insulated foam structure



100% security

EQUIPMENT INCLUDED

- 1 FILTER CARTRIDGE
- FILTRATION SUPPORT
- INFLATING HOSE
- PUMP UNIT CONNECTORS
- 3 CAPS
- REPAIR KIT
- DRAIN PLUG
- AIRFLOW VALVE
- RCD PLUG
- BASE PROTECTOR
- INSULATED COVER



SPECIFICATIONS

SPA	6 PERSONS
Interior/exterior dimensions	160 /184 cm
Height	73 cm
Water level	55-60 cm
Water capacity	1100 L
Air nozzles	88
Walls	Walls made from 13 cm insulating foam
Outer liner	External liner made from 8 mm thick imitation leather
Inner liner	PVC white acrylic
Ground protection	Synthetic fabric mat
Cover	PVC laminated 0,6mm with aluminium sheet
Straps	Secure locking with custom buckles
Ref	SP-VIP160B

INTELLIGENT AND ECONOMIC ENGINE BLOCK

Certification	Tested and certified by TUV
Control panel	Integrated digital panel
Power supply	240V ~ / 50Hz
Air and bubble pump (massage)	650 W
Air pump noise	68 dB at 1 m

HEATER

Power	1500 W
Speed	1.5°C – 2.5°C/hour
Maximum temperature	42°C
Operating environment	5°C or above

FILTRATION PUMP

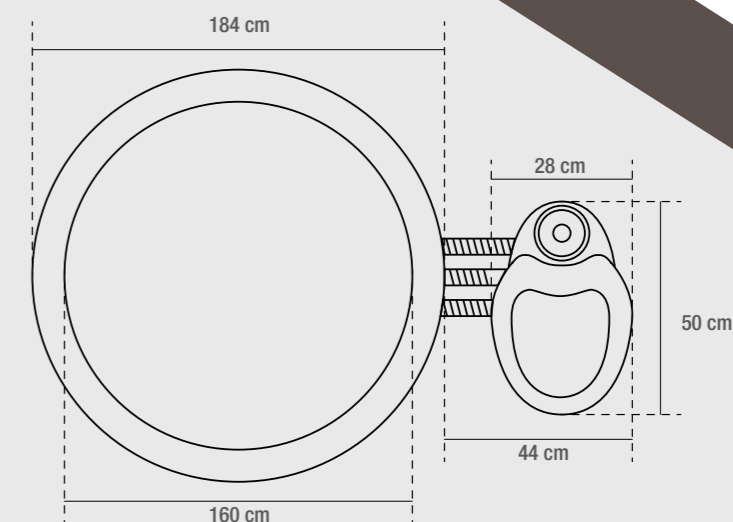
Filtration Pump	40 W
Noise filtering	55 dB à 1 m
Filtering capacity	1200L/h (264gal/h)



TRANSPORT INFORMATIONS



Gross weight	30.5 kg	14.5 kg
40'HQ	76 pcs	
CBM	0.1976m³	0.6035m³



TREATMENT ACCESSORIES

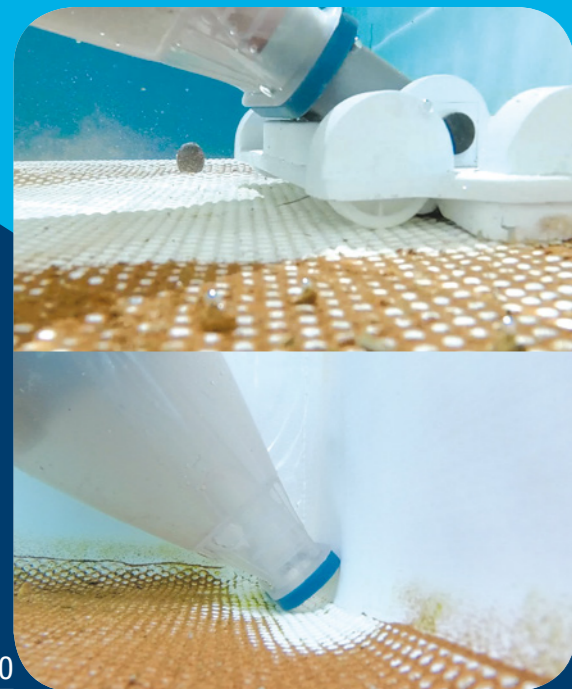
CORDLESS ELECTRIC VACUUM CLEANER SUPER VAC

NetSpa Super Vac is a powerful vacuum cleaner equipped of 12V motor and a built-in rechargeable battery of 60 minutes autonomy. With its telescopic handle and comfy grip, Super Vac allows you to easily vacuum away all impurities that may build up at the bottom of your hot tub, such as earth, stones, or leaves. Super Vac is delivered together with two heads: a large front container for major impurities and a swivel head with wheels to easily reach the most difficult part of the pool.

Compatible with:

Spa, Jacuzzi®, All brands of inflatable spas, above-ground pools and free-standing pools.

NS-CLEANER-25



CORDLESS ELECTRIC VACUUM NETSPA CLEANER

It allows you to vacuum away all impurities that may build up at the bottom of your hot tub, such as earth, stones, or leaves. The NetSpa Cleaner can also be used to treat the sides of the spa effectively.

Compatible with:

Spa, Jacuzzi®, Inflatable hot tub, Above-ground pools, Free-standing pools.

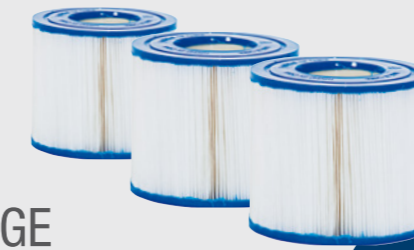
NS-CLEANER-13



SPA FILTER CARTRIDGE

This cartridge purifies the water in your spa and prevents deposits from forming on the tiles in your spa. To keep the water clean, we recommend you clean the cartridge weekly by using a jet of water. If there are any dirt, contaminations or damages, you can simply solve this problem by replacing it.

x3 | SP-N1407535



FILTER CARTRIDGE CASE

More efficient and secure, NetSpa has developed a cage to hold the filter cartridge. Durable, you can keep this cage for several seasons, while only replacing the cartridge.

This cage is compatible with all the inflatable NetSpa and NetSpa 5 STAR LINE spas; it can hold regular or Bacti-stop filter cartridges.

Support filtrer cartridge + 1 cartridge filtrer : SP-N1408425

SPA FILTER CARTRIDGE BACTI-STOP ANTIBACTERIAL

HIGH PERFORMANCE AND EFFICIENCY

The new **Bacti-stop**® filter cartridge is designed with a unique antibacterial paper that will filter up to **98%** of the bacteria generated in the water. This high-performance cartridge is more efficient than the standard type and offers the following advantages:

- Extends the lifetime of your pump's filtration system
- Improves the quality and cleanness of your pool's water
- Neutralizes bacteria, fungi and algae and prevents their proliferation

Compatible with inflatable Spa x3 | SP-N1408778

Compatible with Vita premium x3 | SP-N1408785



UNIVERSAL TREATMENT FOR HOT TUBS

Unique, all-in-one hot tub treatment, not available anywhere else! NetSpa active oxygen treatment is a powerful disinfectant that allows you to eliminate bacteria and other micro-organisms from the water of your hot tub.

1 box of 20x20g tablets
SP-NOXYTAB-20

ACCESSORIES



HEADRESTS AND CUP HOLDER FOR PORTABLE HOT TUB

We use high quality polyurethane and non-toxic thermoplastic material, which are not harmful to the environment, to create a comfortable and hardwearing headrest with two cup holders. The slightly elevated position of the NetSpa headrest improves the flow of blood within the body.

SP-N1405180 / 2 headrests and a cup holder (27cm×16cm×19cm).

Compatible with Vita Premium.



HEADRESTS & CUP HOLDER FOR INFLATABLE HOT TUB

Our cup holder and headrests will transform your hot-tub sessions in your NetSpa tub into a truly relaxing experience. With our headrests, your head will sit in a slightly elevated position, greatly improving your blood flow. At the same time, our cup holder will keep your favourite drink within easy reach. SP-1405173 / Pack: 2 headrests + 1 cup holder

Compatible with: Silver, Rover, Malibu, Montana and Aspen spas.

Only to be used under adult supervision.

FLOATING BAR

Ideal to spend a sublime moment of relaxation with your friends or family, the NetSpa inflatable bar consists of 5 cup holders and a large, central compartment large, central compartment.

Diameter of 64cm
SP-N1405227



INFLATABLE COVER FOR HOT TUBS

Place this lid underneath your spa cover to avoid heat loss. This lid has two functions: retains the water's heat, and reduces the heat up time up your spa. Designed by NetSpa, this inflatable lid is designed to fit perfectly with the lines of our round hot tubs.

Package including :

1 inflatable cover for round tubs - Malibu and Montana
or 1 inflatable cover for square tubs - Aspen
or 1 inflatable cover for octagonal tubs - Rover and Silver.

Round 140 cm	SP-N1405203
Round 165 cm	SP-N1405210
Square octagonal	SP-N1405869
	SP-N1407528



SPA SPOTLIGHT

Illuminate your evenings. Sealed low voltage lamp fitted with rechargeable battery. Add colour to your spa! Compatible with all spas.

SEAT CUSHIONS

Supplied in packs of two, these inflatable cushions allow you to sit comfortably in your hot tub.

When filled with water, they can be placed at the bottom of the tub to raise your seating position during your hot tub session.

SP-N1405197 / Dim. 45x38x10cm.



FOOT BATH

The NetSpa foot bath has been designed to improve the hygiene inside your hot tub.

This inflatable bath allows you to rinse your feet before each hot tub session and keeps the water clean and free from contamination.

SP-N1405548 / Dim. 87x68x14cm.

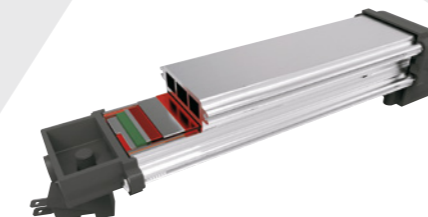




TECHNOLOGY

ABSOLUTE SAFETY!

Our engineers have studied all the parameters to offer you a relaxing and easy use of our spas. Our products are secure, economical and offer the simplest maintenance system on the market!



DOUBLE INSULATION

An aluminium layer and an insulating polymer film surround the electric heater. This double insulation effectively prevents leakage of currents.



SECURE LOCKING

All spas in the NetSpa range are equipped with an insulating cover. This cover has secure latches that make opening to children impossible.

PROTECTION AGAINST OVERHEATING

All spas in the NetSpa range are equipped with an insulating cover. This cover has secure latches that make opening to children impossible.



LOCKING

All spas in the NetSpa range are equipped with an insulating cover. This cover has secure latches that make opening to children impossible.



RCD PLUG

The NetSpa engine block operates with a differential socket that will automatically turn off the power to prevent electric shock to the user. Its low intensity - 10mA - represents today the highest standard for inflatable spas.



SECURE LOCKING

All spas in the NetSpa range are equipped with an insulating cover. This cover has secure latches that make opening to children impossible.

OPTIMAL INSULATION

NetSpa inflatable spas have a 20cm thick reinforced PVC wall, which allows a better insulation of water. The isothermal cover, equipped with a 6mm sheet of aluminium, will also avoid any loss of temperature.



ECONOMIC PROGRAMMING

To reduce the cost of using the spa, we have designed an «Eco Intelligent» program. Now the heating stops automatically when the water reaches the required temperature and restarts at 2°C deviation.



NETSPA AFTER SALE SERVICE ADVANTAGES

- An easy and feasible approach for all
- No direct intervention or product change
- Do not empty your spa for repair
- Fast and efficient repair
- Access to the platform in case of malfunction :

<http://support.netspa.eu>



Send the NetSpa removable engine in its original carton



Enregistrez votre garantie Register your warranty on: www.support.netspa.eu



Send the engine block to the center NetSpa France



Your engine will be repaired as soon as possible !



Your NetSpa engine block is delivered to you at your home



5 STEPS MINUTES



THE NETSPA

AFTER SALE SERVICE promises to you

- Simple and shortened procedures
- A large stock of spare parts
- A professional HOTLINE

<http://support.netspa.eu>



www.netspa.eu

Poolstar★
Your Swimming Pool & Wellness Partner

NETSPA is a trademark distributed by the Poolstar Group

POOLSTAR FRANCE
ZA Les Pielettes
13740 LE ROVE
FRANCE

E-mail: contact@poolstar.fr
Tel: +33 (0)4 91 51 15 16
Fax: +33 (0)4 91 51 97 07
www.poolstar.fr